

KANGNI SMART



KZ3

Lightweight Foldable Electric Wheelchair

Product Structure



Customizable Colors

Not only does it stand out in appearance, but it also shines brightly, meeting the need for personalization.



Convenient Folding

Compact and neat after folding ; stands in a corner, stores in a cabinet, fits in a trunk.

Stands upright, can be carried or pulled like a suitcase.

One-step manual folding for quick convenience, with reliable locking after unfolding.



The upper backrest folds to achieve a smaller storage size.



Electrical Assisted Standing

The seat angle adjusts electrically to help you stand up comfortably and easily.



Bluetooth Controller

Wirelessly control the wheelchair for freedom and independence.



LCD Display

Fault alerts, battery and speed display; Joystick controlling the wheelchair ensures worry-free travel.

Directional Joystick



Battery Indicator

Stand/
Sit Assistance

Speed Down



Fault
Warning

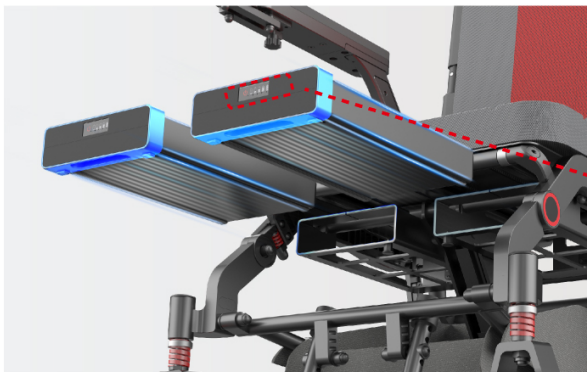
Illumination
Light

Speed Up

Horn

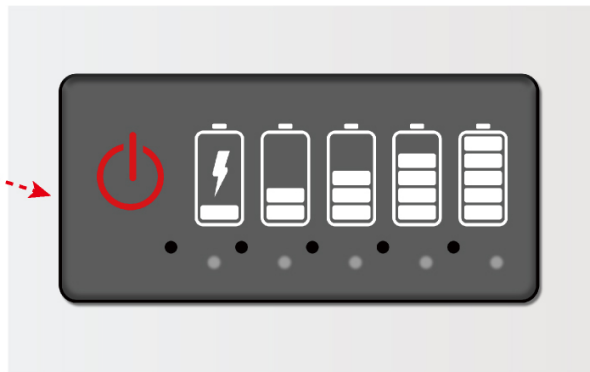
Dual Batteries Easily Removal

Dual battery design supports on/off-board charging. Aviation compliant, can be carried on a plane.



Battery Level Display

Intuitive display shows remaining battery power.



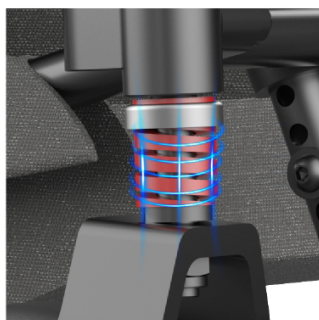
Flip-up Footrest

For compact storage.



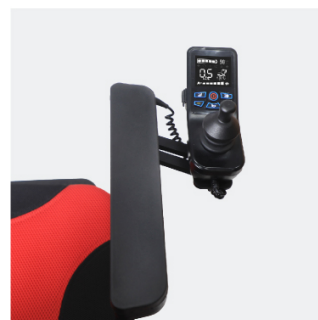
Flip-up Armrests

For side entry and table use



Full Suspension

With 3 sets shock absorbers for smooth ride



Controller Adjustment

Adjustable controller for left/right use and angle for flexibility.

Product Specifications Model NO. KZ3



Motor			
Motor	Brushless Motor	Braking System	Electromagnetic Brake
Motor Power	250-Watt * 2pcs		

Battery			
Battery	24V Lithium Battery	Range (6Ah *2pcs)	15km
Battery Capacity	6Ah *2pcs OR 10Ah*2pcs	Range (10Ah*2pcs)	20km

Front Wheel	
Front Wheel Type	8" PU Solid Tire

Rear Wheel	
Rear Wheel Type	12" Rubber Solid Tire

Performance Parameters			
Max. Climbing Angle	9°	Max. Speed	6km/h
Min. Turning Radius	≤90cm	Max. Weight Capacity	≥120Kg

Note: The range and climbing angle are affected by various factors such as road surface material, humidity, rider weight, and gear. The values provided are for reference only. It is recommended that the battery be charged and stored in an environment with a temperature between 0°C and 40°C.

About us



Listed Company R&D **International Quality Control Certification**
Industry-leading Technology **Full-chain Logistics Services**

Nanjing Kangni Smart Technology Co., Ltd. established on August 18, 2016, is a wholly-owned subsidiary of Nanjing Kangni Mechanical & Electrical Co., LTD., a listed company on the main board. The company is mainly engaged in the research and development, production, and sales of intelligent machine movement equipment, electric mobility vehicles, electric wheelchair vehicles, medical electric transfer vehicles, electric hospital beds, and other medical devices and rehabilitation aids, as well as the design, planning, and implementation of application scenarios of integrated solutions to guide.

The company has a total of 66 patents, the quality management system through the TÜV Süd ISO13485 audit certification, with a class I, and class II medical device production and business qualifications.

Kangni Smart is committed to the innovative development and user experience of elderly care and rehabilitation aids, as well as medical devices, providing customers with safe, comfortable, economical, and convenient rehabilitation care and medical solutions.



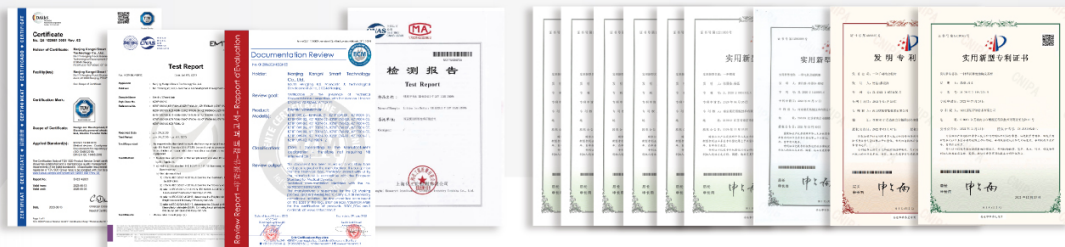
Listed Company
Stock code 603111



TÜV Süd
Quality management system certification



Full-chain Logistics Services
84 after-sales service outlets in China



After-sales Service

International service outlets

Americas Service Station

Place of habitual residence: Mexico, USA, Canada, Brazil

Temporary station: Argentina, Ecuador

European Service Station

Place of habitual residence: France, Poland

Temporary station: Germany, Czech Republic, Spain, Great Britain

Middle East/Africa Service Station

Place of habitual residence: UAE, Turkey

Temporary station: Saudi Arabia, Iran, Israel

Asia Pacific Service Station

Place of habitual residence: Malaysia, India, Pakistan

Temporary station: Thailand, Vietnam, Philippines, Laos

*Products of Kangni Smart have been insured by PICC (People's Insurance Company of China) for Product Liability Insurance

*Product parameters are for references only. the actual product shall prevail.

Care

Company

Confidence



Scan Me

🏠 Nanjing Kangni Smart Technology Co., Ltd

✉ info@kangnismart.com

☎ +86-400-828-0900

🌐 www.kangnismart.com

📍 No.11 Hengjing Rd, Economic Development Area,
Nanjing, China

Version:1.0

Note: Configuration and functions of all products in the album are subject to the physical objects.
Please read the User Manual or contact our staff before use